



"HENRI COANDA"
AIR FORCE ACADEMY
ROMANIA



GERMANY



"GENERAL M.R. STEFANIK"
ARMED FORCES ACADEMY
SLOVAK REPUBLIC

INTERNATIONAL CONFERENCE of SCIENTIFIC PAPER
AFASES 2011
Brasov, 26-28 May 2011

NEW DESIGN METHOD FOR ASYNCHRONOUS DIGITAL SYSTEMS

Mihai TIMIS, Alexandru VALACHI

Technical University „Gh.Asachi” Iasi, Automatic Control
and Computer Science Faculty, Computer Science departament
mtims@cs.tuiasi.ro, avalachi@cs.tuiasi.ro

Abstract: In present paper, the authors propose a method for synthesis of the asynchronous digital systems using locally clock method.

Keywords: Digital logic, FSM, Fluence Graph, D Flip-Flop Latch, Transition Table, Logic Gates.

1. INTRODUCTION

Driving an asynchronous digital system is a such complex task instead synchronous systems. The authors propose a method for synthesis of the asynchronous digital systems using Verilog HDL, and implement them into a FPGA devices, [1,2,3]. The proposed method presented in this paper has many features like:

- execution speed much better;
- maximize the combinational/sequential digital logic
- maximize the design performances (speed, low power, size)

A such of system is presented in figure 1. It contains the combinational logic modules, D type latches, input signals named input1,input2...inputN, output signals named output1,output2.....outputM, state variables named s1,s2...sk. The combinational system which implements an internal drive in signal, it is used for control the states of the digital system, disposal the hazard phenomenon from

the digital systems. The entire system transit into a new state driving by the input signals which need to be stabile a period of time before changed and by the present states of the system.

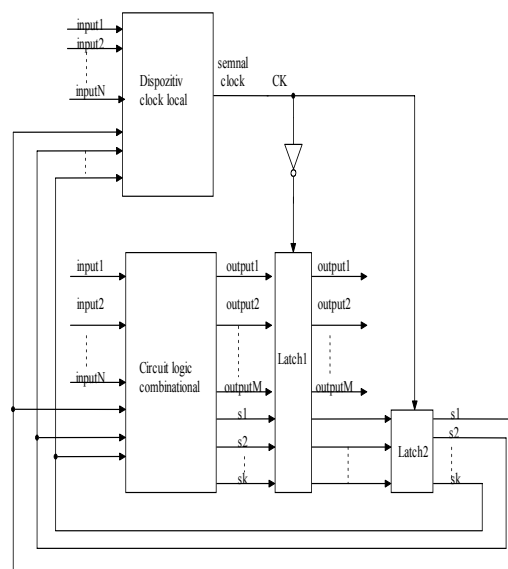


Fig.1. Digital Asynchronous System

In figure 1 it's shown the consist modules of the digital system:

- drive in signal device;
- combinational system who implements the system states equation ;
- D type latch1, latch2 are used to memorise the state of the system and also the outputs of the system;

The drive in signal (1) depends by the system's states notated with Q_i , input signals notated with X_j , where $i=1,2,\dots,n-1$, $j=1,2,\dots,m-1$; (n- states number variables, m- input number variables).

$$CK = F(Q_i, X_j) \quad (1)$$

If signal $CK=1$ the system will go onto a new state, if $CK=0$ the system will stay in present state, it will can read the output values signals. While the states and outpus signals are computed, the input signals will not be changed, the system will work in fundamental mode.

2. DESIGN OF ASYNCHRONOUS DIGITAL SYSTEM WITH LOCALLY CLOCK METHOD

Let's consider an asynchronous digital system with functionality described by the fluence graph, figure 2:

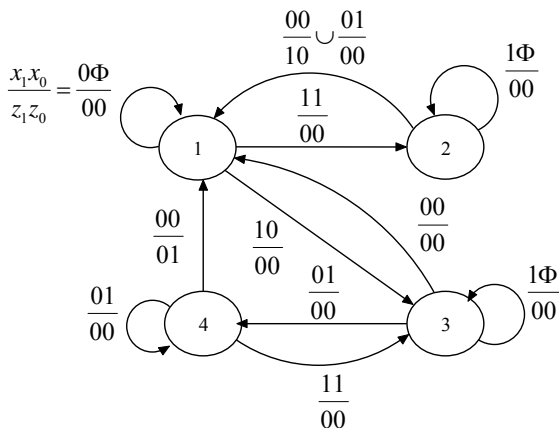


Figure 2. Graph table

The fluence table is described in figure 3.

$$Q_{n+1}/z_1z_0$$

$(x_1x_0)_n$ Q_n	00	01	11	10
1	1/00	1/00	2/00	3/00
2	1/10	1/00	2/00	2/00
3	1/00	4/00	3/00	3/00
4	1/01	4/00	3/00	-/--

Fig.3. Fluence graph table

The equations are like, (2):

$$D_1 = y_{1,n+1} = [y_1(x_0 + x_1) + \overline{y_0}x_1\overline{x_0}]_n$$

$$D_0 = y_{0,n+1} = x_{1,n}$$

$$z_{1,n} = (\overline{y_1}y_0\overline{x_1}x_0)_n \quad (2)$$

$$z_{0,n} = (y_1y_0x_0)_n$$

The CK truth table is deduced from fig.3, like in fig.4:

$(x_1x_0)_n$ y_1y_0	00	01	11	10
00	0	0	1	1
01	1	1	0	0
11	1	1	0	0
10	1	0	1	-

Fig. 4. CK truth table

Using the Veitch-Karnaugh, method it will compute the CK's equation (3):

$$CK = \overline{x_1}y_0 + x_1\overline{y_0} + \overline{x_0}y_1\overline{y_0} \quad (3)$$

The D flip-flop circuits are described in fig.5:

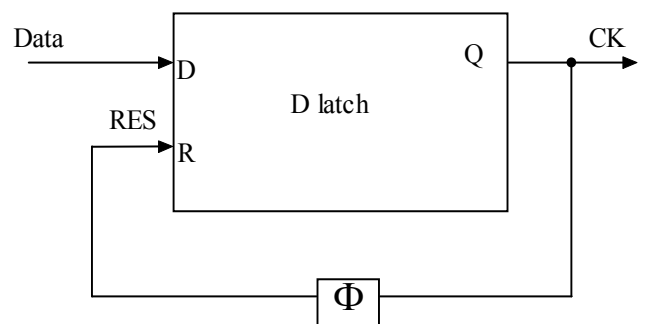


Fig.5. D flip-flop

z_1, z_0 - represents the outputs of the system



"HENRI COANDA"
AIR FORCE ACADEMY
ROMANIA



GERMANY



"GENERAL M.R. STEFANIK"
ARMED FORCES ACADEMY
SLOVAK REPUBLIC

INTERNATIONAL CONFERENCE of SCIENTIFIC PAPER
AFASES 2011

Brasov, 26-28 May 2011

y_1, y_0 – represents the state of the system

The output signals z_1, z_0 and state signals y_1, y_0 , has attached a D flil-flop latch. The D flip-flop latch1 stores the output signals while the latch2 stores the states signals. They are triggered on the positive clock signal – CK.

After a delay time, the CK signal is reseted who let the latch1 to be triggered.

The design of the proposed system is like in fig. 6.

- The minimum propagation delay of CK signal through the combinational system must be greater than the maximum propagation delay for every logic circuit which implements the input/output signals.

- Once the CK signal is triggered it can be reseted without digital hazard.

- Using the improved design described above, the entire asynchronous digital system will work concordant with the specifications.

- For a corect functionality, the following conditions must meet, fig.7.

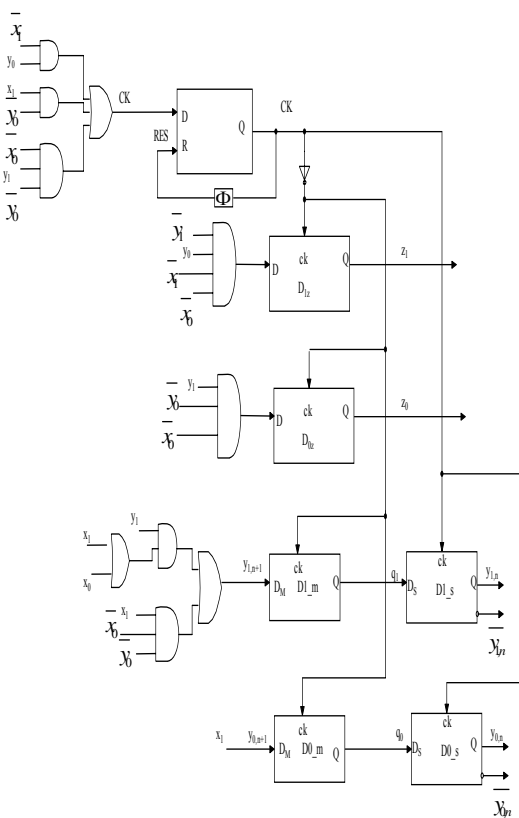


Fig 6. Design with D flip-flop

The entire digital system must meet the following restrictions:

$$\Phi \ll T$$

$$\Phi + \Delta = T$$

$$\Delta \leq T$$

$$\Delta > \Phi$$

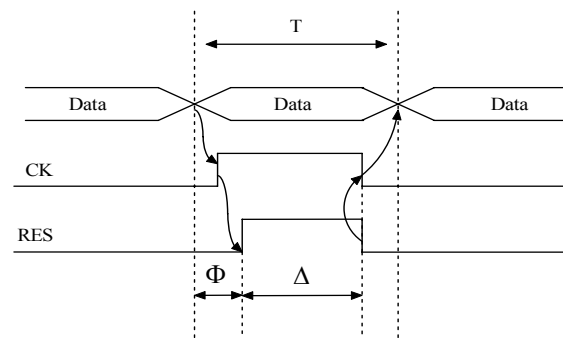


Fig 7. Functionality diagram

- If we set the value of delay time for the Q to Res signal $\Phi = 314ns$, we can use a RC circuit like:

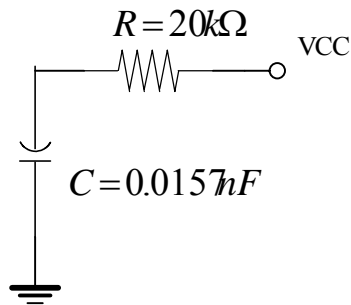


Fig. 8. RC circuit

3. CONCLUSIONS

- The CK signal and the output signals must be free of logic hazard in order to meet the system run like within the specifications;
- The minimum propagation delay of CK signal through the combinational system must be greater than the maximum propagation delay for every logic circuit which implements the input/output signals.
- Once the CK signal is triggered it can be reseted without digital hazard.

- Using the improved design described above, the entire asynchronous digital system will work like in the specifications.

4. REFERENCES

- [1] Steven Mark Nowick . Automatic Synthesis of Burst-Mode Asynchronous Controllers. Technical Report, December 1995.
- [2] C. Roth. Principles of Fundamental Logic Design. New York, 1995.
- [3] Chris J. Myers. Asynchronous Circuit Design. John and Soons, Inc. 1995.
- [4] Alexandru Valachi, Radu Silion, Mihai Timiș . Improvement of FSM Synthesis using MSI and LSI circuits. 8th International Symposium on Automatic Control and Computer Science, Iasi, 2004.
- [5] Douglas J. Smith. HDL Chip Design. The Doone Publications 2001.
- [6] Verilog HDL Synthesis. A practical Primer. J.Basker, Doone Public.2000.